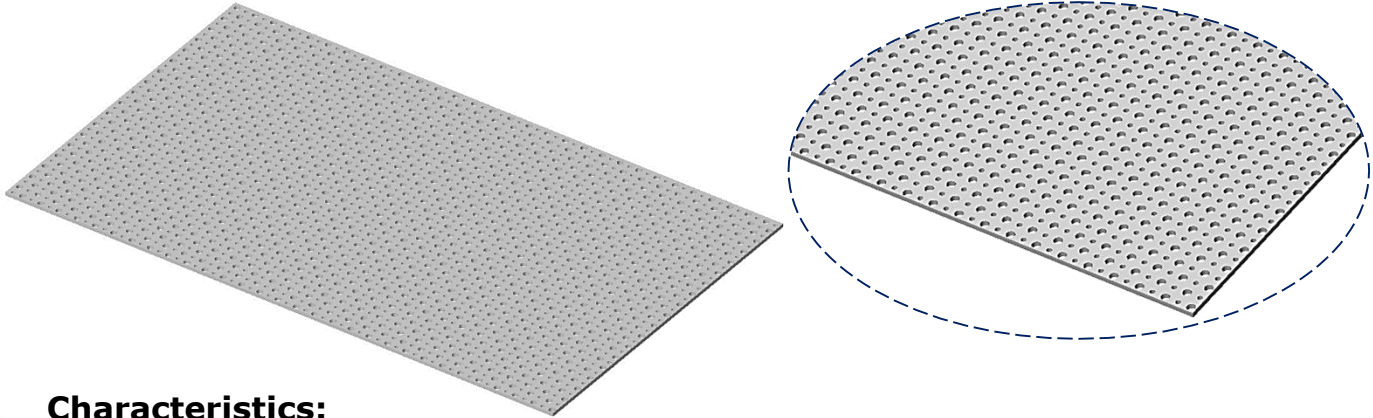


Description: - Rigitone Activ'Air 12-20/66



Characteristics:

Rigitone Activ'Air 12-20/66 comprises a 12.5mm gypsum core, with a regular scattered round perforation of 12 & 20mm diameter. It is a specially formulated Gypsum board with Activ'Air technology.

Physical Properties:

Board Dimensions : (1188x1980) mm
 Board Thickness : 12.5mm
 Board Weight : Approx. 9 Kg/m²
 Perforation Size : 12 & 20mm diameter
 Perforation Spacing : 66mm CTC
 Perforation Area : 19.6%
 Edge type : All 4 Square Edges
 Colour : Unpainted paper liner (can be painted with an emulsion paint after installation)

NRC:

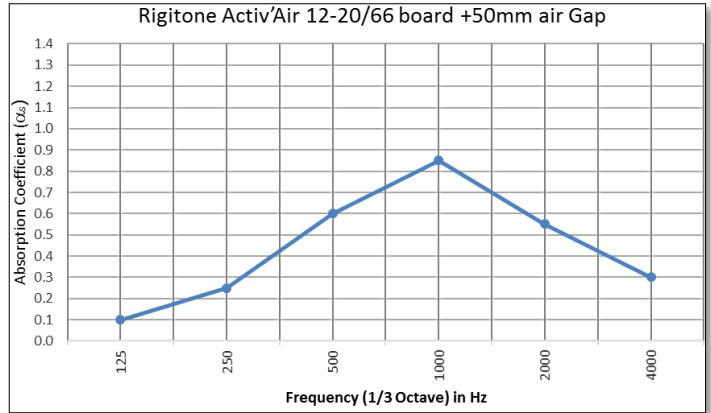
Sr. No.	System (Test Combination)	NRC
1	Rigitone Activ'Air 12-20/66 board +50mm air Gap	0.55
2	Rigitone Activ'Air 12-20/66 board +200mm air Gap	0.65

ORIGINAL

1. Rigitone Activ'Air12-20/66 board +50mm air Gap

Freq. (Hz)	125	250	500	1000	2000	4000
ABS Coeff.	0.10	0.25	0.60	0.85	0.55	0.30

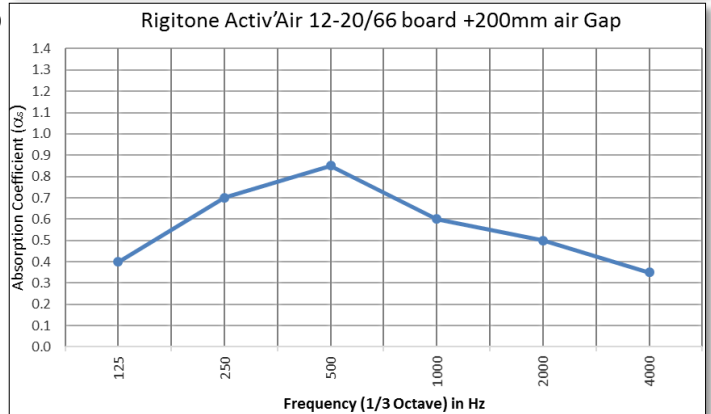
NRC = 0.55



2. Rigitone Activ'Air 12-20/66 board +200mm air Gap

Freq. (Hz)	125	250	500	1000	2000	4000
ABS Coeff.	0.40	0.70	0.85	0.60	0.50	0.35

NRC = 0.65



ORIGINAL